



SONCEBOZ



Mechatronic motion systems

We create, design, and produce electric actuators for demanding challenges: this is our core business. With this key competence we serve a worldwide renowned clientele.

Our innovative and tailored solutions reflect our commitment to optimal ecological footprint, safety and comfort.

Why does this work so well? It is the quality of our expertise, "From Mind to Motion". From idea to movement, our goal is to offer you a compact, robust and reliable motion system.

Enter the world of Sonceboz,
an enterprise in motion!



A **shared ambition**
for the **highest demands**

Exciting applications

Position, measure, and regulate
in harsh environments

Our clients come from all sectors of the automotive, commercial and off-road vehicle, medical, and industrial realms. They are global companies, leaders in their markets, finding in Sonceboz a partner combining unmatched industry expertise with innovative technology and technique.

Our solutions thrive on adversity. Resistance to extreme temperatures, shock and vibration, and other harsh conditions are their defining criteria. The quintessence of Sonceboz: for each challenge, a solution perfect in size, durability, robustness, noise level and much more.

Like you, we are dedicated to relentless improvements in safety, comfort, energy efficiency, and reduced emissions. Innovative Sonceboz solutions will bring you satisfaction and competitiveness.



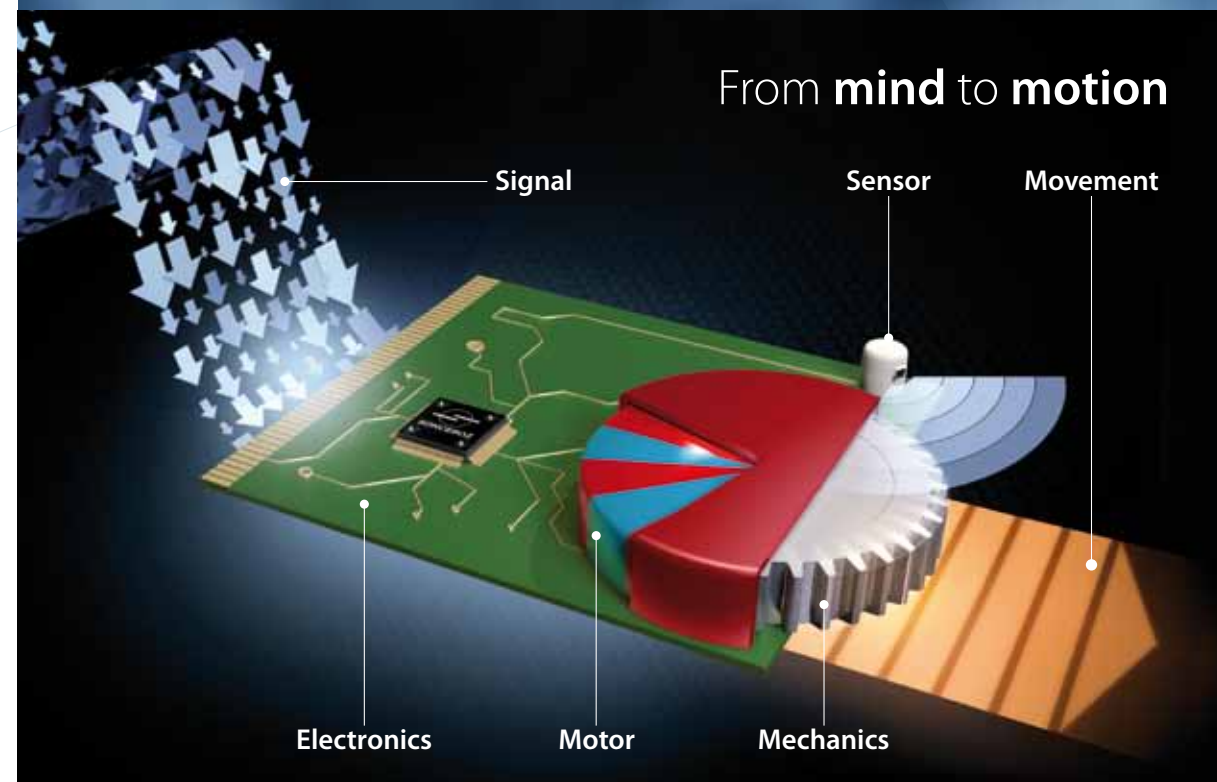
Your mechatronic solution

Transforming electric signals into mechanical motion

Our developments are based on electric motors and mechatronic drive systems to produce linear or rotary motion. All include contactless technology to guarantee long-life reliability.

Bring us your technical challenges, and we will bring you the right mechatronic solution with the right interfaces: stepper or brushless DC motors, magnetic sensors, gear trains, and electronic controls.

Our cutting-edge technology comes of synergistic research and development, backed by an expertise in the field of electromagnetism, an unparalleled adaptability and flexibility, and a robust dedication to supporting your project from start to finish: these are the benefits Sonceboz brings to you.



From **mind** to **motion**:
**compact, robust, energy
efficient solutions**

Decoding the future

Listen, innovate, and anticipate to create

Our experts in electromagnetics and applied research are industriously anticipating tomorrow's market in accord with our roadmap to 2025. We observe worldwide trends, pushing the boundaries and paving new paths to innovative technology.

Our engineers take personal care of your projects. We work closely with you and in full respect of industrial, intellectual, and environmental standards. Our partnership focuses on inventiveness, cooperation, and ambition.

Choosing Sonceboz gets you an immediate and durable head start, as you are guaranteed our best technology even before your company perceives the need.



Our innovation guarantees
your success



Enduring solutions for you

Proven quality from the start

Simulate, test, validate: pushing the limits

Our zero-defect policy propels us toward optimal integration and reliability. It is the touchstone and motto of each and all of our experts.

In the design phase we perform accurate simulations and rigorous tests on representative prototypes. Our approach reduces development time and ensures top quality while keeping you in full control of the project.

With Sonceboz you get a consistent, reliable partner, a team to accompany you through all phases of your project from idea to production and beyond.

ISO/TS 16949, ISO 13485, ISO 14001, ISO 9001



Skillful masters of microtechnics



Strategic components

Our unique expertise at your service

Metal and plastic components, coils, electronics assembly: we build from our in-house expertise and with strategic partners in these core elements that make your solution perform.

We have mastered every step of the value chain, from specification to large scale production. Thus, we control optimal physical and functional integration within and among all the mechatronic systems we make.

The benefits to you from our long and constant investment in the most modern machinery and the latest technology are greater flexibility, shorter time to market, and maximum reliability.

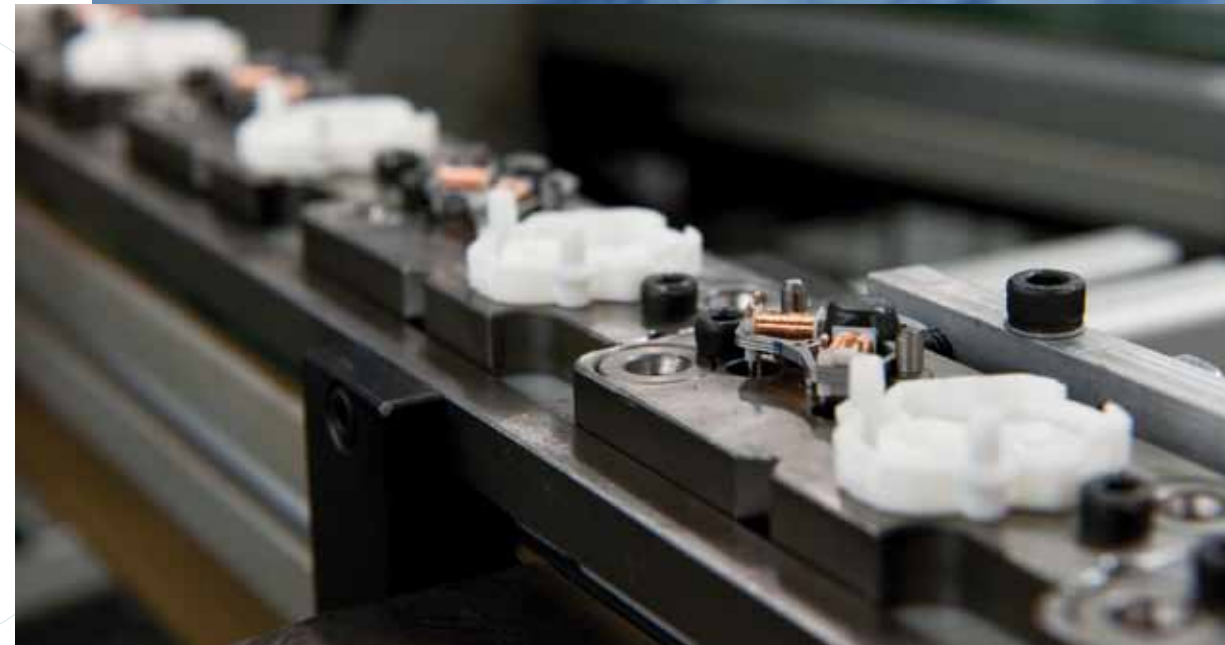
Peak industrial performance

Efficient, robust, and agile processes

Our value is based on a high level of automation made possible by our expertise in industrialization, automation and industrial logistics.

Our lean manufacturing approach naturally guides our engineers' imagination to define the most efficient flow for operations, lines and workshops.

Our expert industrial engineers live to translate your ideas into reality. We bring you zero-defect quality and optimum traceability by dint of our careful mastery and control of process and product.



**Advanced automation:
best value for investment**

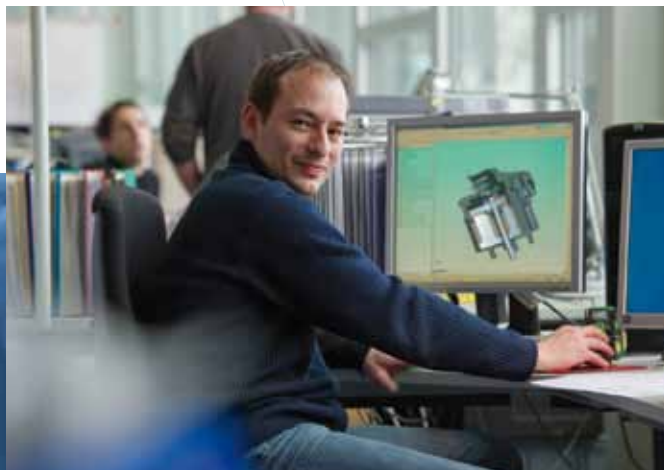
Thrive in a stimulating environment

Your future starts today!

A career at Sonceboz is more than just a job. Talent blooms in a family-owned company with an international scope and that offers a wide spectrum of positions.

Our policy focuses on sustainable development and we strive for the skill and talent of our people to fuel our ambition for innovation. Your potential and creativity will flourish in a milieu of individual and collaborative initiative and real enterprise consideration.

This kind of success stimulates the personal and professional growth of our employees. Among our multidisciplinary teams we are encouraging the enthusiasm and involvement to make tomorrow happen.



A **career** fuelled
by **enterprising spirit**

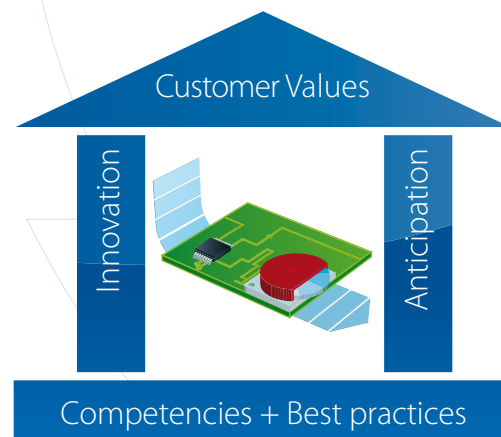
Together for success

Anticipation, passion, sustainability: our philosophy

Since the dawn of Sonceboz in 1936, we have clung to a healthy vision. As a family company, we remain independent to preserve our future. This means longevity, responsibility, commitment, human capacity, and stability for our customers, our partners, and our employees.

Our development is based on a long-term sustainable strategy, which we review and adjust every four years. This way we are constantly opening new opportunities and expanding the realm of the possible.

Our passion and capacity to work closely with you at every phase of your project is a dependable constant. Together with our subsidiaries and partners, we have all the resources to support your global growth and propel you to success.



Sonceboz: **responsive, responsible partner on your side**



A country of **tradition,**
precision, and **nature**

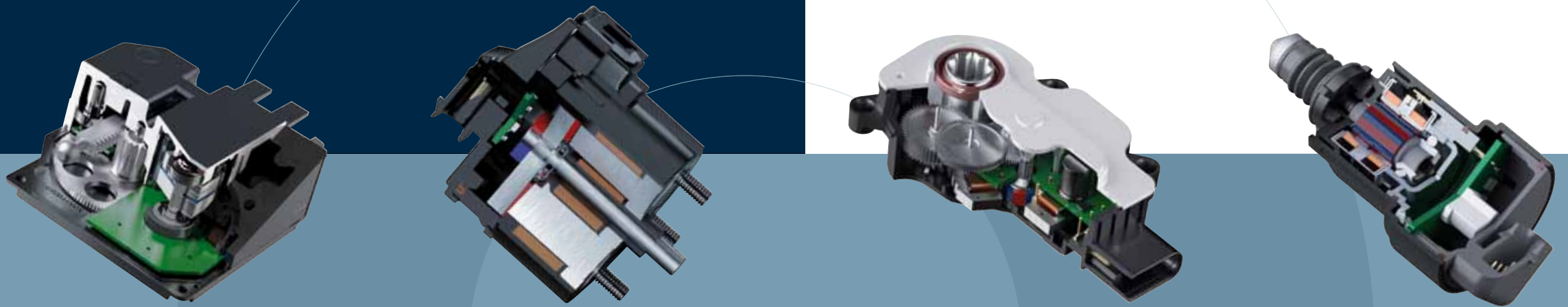
Open to the world

Inspired by a heritage of excellence

Our roots are here in the heart of Europe, in a region of longstanding excellence in microtechnology, watchmaking, and other precision endeavours.

Our region in Switzerland is renowned for an authentic heritage of excellence by nature. We are people who for generations have held a passion for precision engineering. Our schools and training centres have formed a workforce of exceptionally high skill and talent; in this fertile garden we grow the best competences.

The environment is an ideal one for each individual to create and grow his own identity in the context of a company dedicated to excellence.



From **mind**
to **motion**

Total confidence

Our commitment and our quality last a lifetime

Sonceboz experts wield formidable proven experience in mechatronic drive systems. We make it our job to know the distinctive features of your business. Right from the start, we listen, understand and speak your language. We pose the right questions to get right to the core of your unique challenge and get to work solving it.

Experience our inventiveness, our agility, our global proximity. Welcome in the world of innovative mechatronics.

Welcome to Sonceboz!



Headquarter

Rue Rosselet Challandes 5
2605 Sonceboz - Switzerland
Tel. +41 (0)32 488 11 11
Fax +41 (0)32 488 11 00
info@sonceboz.com

www.sonceboz.com

